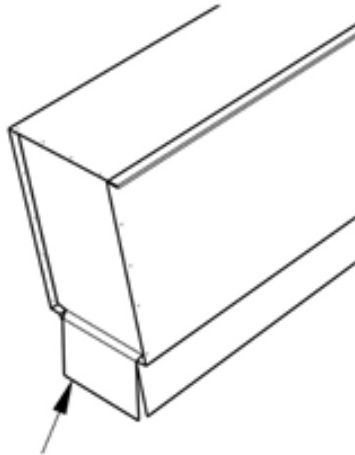


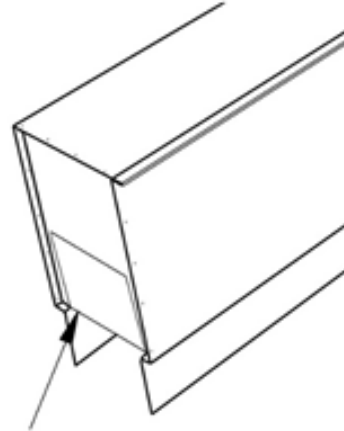
Metal Plenum Install Instructions

Metal Plenums are available with LAB, LSD, and LJP products
MODEL: Metal Plenum (DP, SDP)

INSTRUCTIONAL SHEET FOR METAL PLENUM AIR GATES (DP - SDP)



AIR GATE PORTION OF END
CAP IS NOT WELDED



FOR CONTINUOUS OR SHORT END CAP
APPLICATIONS, SHARPLY BEND THE AIR
GATE UP AND AGAINST THE TOP
SECTION. THIS RESULTS IN 2 1/2" OF
FREE SPACE FOR THE DIFFUSER TO
PASS THROUGH

USED FOR INDIVIDUAL OR CONTINUOUS PLENUMS - ELIMINATES TIME CONSUMING MATCH UP REQUIREMENTS