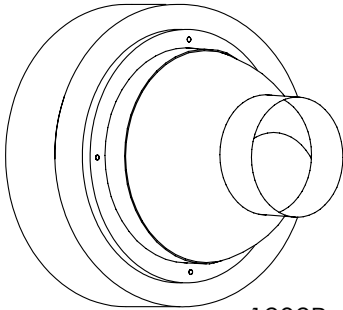


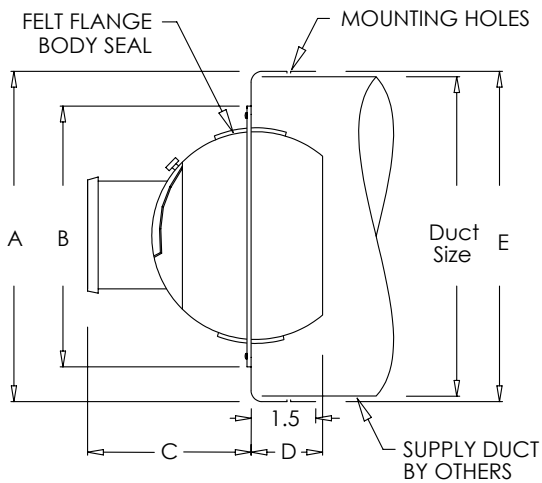
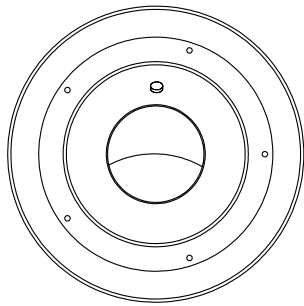
Commercial Submittal

Aluminum Round Spot Diffuser with Round Duct Adapter

MODEL: 1202R



1202R



1202R

Standard Features:

- Solid aluminum rotatable body
- Excellent for spot heating and cooling, can move conditioned air from an inaccessible place into the work environment
- Exposed duct mount with round duct adapter
- Precision adjustable aluminum air flow exit plate
- Double felt flange body seal to prevent air leakage
- Closed cell neoprene or felt mounting gasket, depending on unit size.
- Easy adjustment of air flow by turn of a knob
- Maximum rotation angle up to 33° to 42° in all directions
- Clear Anodized

Options:

MRI Compatible

Finishes:

STANDARD COLORS

Anodized

1202R Series Dimensions Listed in Inches

SIZE	DUCT SIZE	A	B	C	D	E
1202R-6	8"	8 11/32	7 15/32	3 11/16	1 1/2	8 1/4
1202R-7	10"	10 3/8	8 3/32	4 3/8	1 1/2	10 1/4
1202R-8	11"	11 3/8	9 27/32	4 23/32	1 23/32	11 1/4
1202R-10	14"	14 3/8	12 3/4	6 27/32	1 31/32	14 1/4
1202R-12	16"	16 3/8	14 9/32	7 7/8	2 15/32	16 1/4
1202R-16	20"	20 3/8	18 1/2	9 3/4	3 5/8	20 1/4
1202R-18	24"	24 3/8	21 1/16	11 5/8	3 3/4	24 1/4
1202R-20	24"	24 3/8	21 1/16	11 5/8	3 3/4	24 1/4

Additional Information:

Submittal Notes

Project / Location:	
Engineer:	
Architect:	
Contractor:	