

Standard Features:

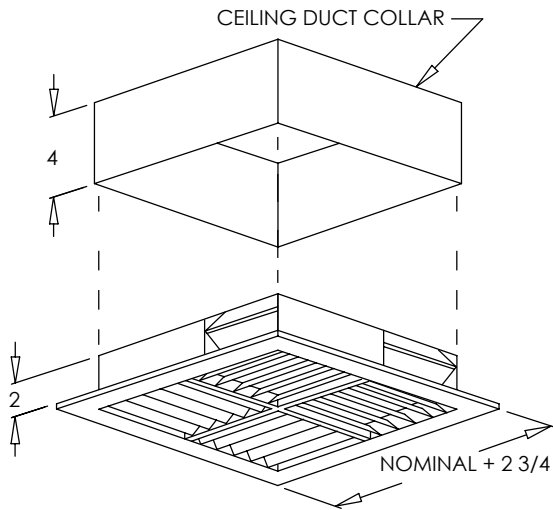
- Designed for supply application
- 12 ga. steel face with 1 1/2" face flange
- 12 ga. steel sleeve, minimum 3 1/2" length
- 4-Way core has 12 gauge hot-rolled steel louvers with 3/16" opening
- Four loose pieces of 1-1/2" x 1-1/2" x 1/8" wall angles provided for field welding
- White

Options:

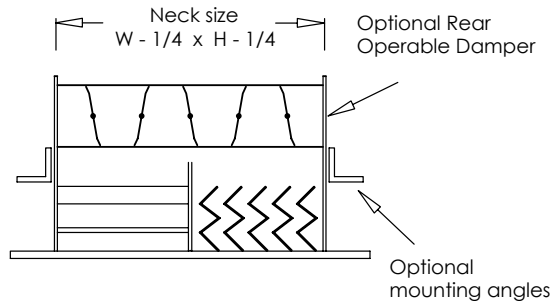
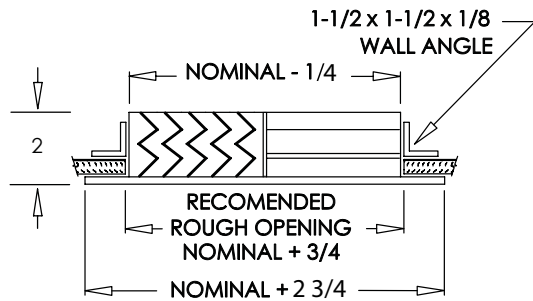
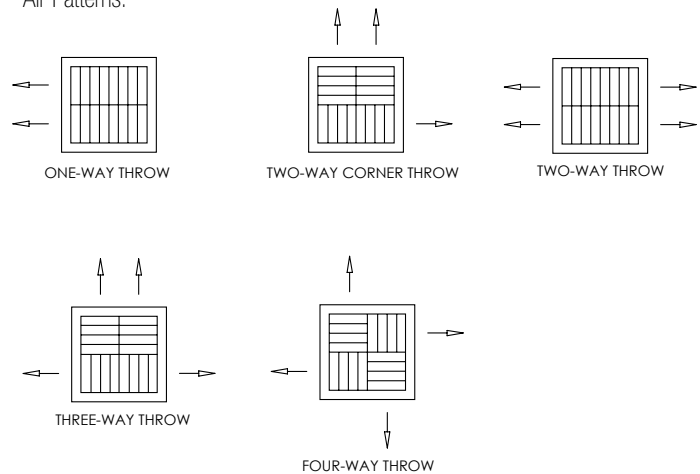
Wall angles with pre-punched mounting holes in four loose pieces for bolting, security nuts and bolts provided.
 Rear operable Damper

Air Patterns:

- | | |
|--------------------|-------------|
| 1-Way Throw | 3-Way Throw |
| 2-Way Corner Throw | 4-Way Throw |
| 2-Way Throw | |



Air Patterns:



Product Notes:

Complies with National Institute of Corrections recommendations and California Code of Regulations Title 24.

Additional Information:

Submittal Notes

Project / Location:	
Engineer:	
Architect:	
Contractor:	