

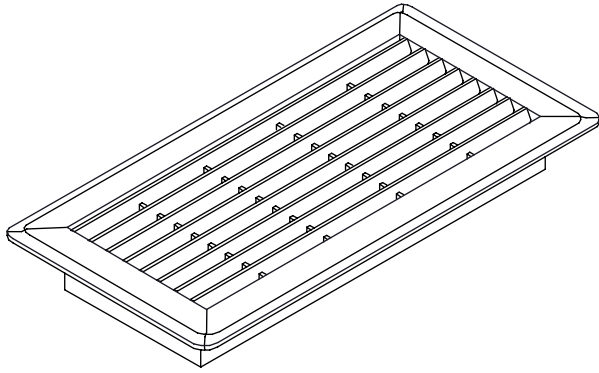


CSW Industrials Companies

Residential Submittal

Heavy Duty Floor Grille with 30° Deflection

MODEL: 1630 Series



Standard Features:

- Fixed bars with 30° deflection
- Heavy duty steel honeycomb construction
- Flush core and frame provides smooth surface
- Bars run parallel to longest dimension
- Available in even sizes only
- Rust resistant pre-coat with durable powder finish
- Driftwood Tan or Soft White

Options:

Heavy Duty: Reinforced welded core and extra bar support for gymnasium or high traffic application (1630-R)

Recessed screwdriver-operated opposed blade damper (1630-0)

Reinforced welded core and opposed blade damper (1630R-0)

Bars parallel to shortest dimension

Finishes:

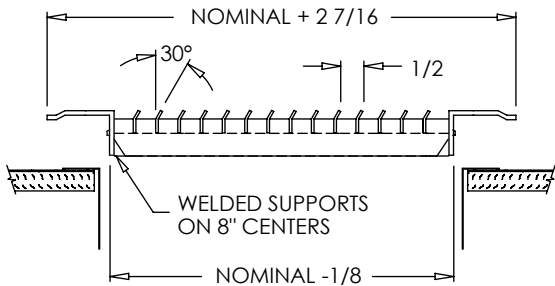
STANDARD COLORS

- Soft White
- Driftwood Tan

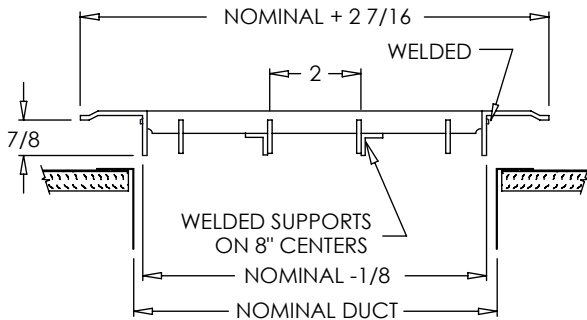
DESIGNER COLORS

- Black
- Bronze
- Storm Gray
- Cement Gray

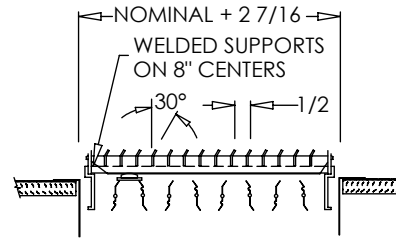
- Aluminum Paint
- Coffee Tan
- Warm White
- Glossy White



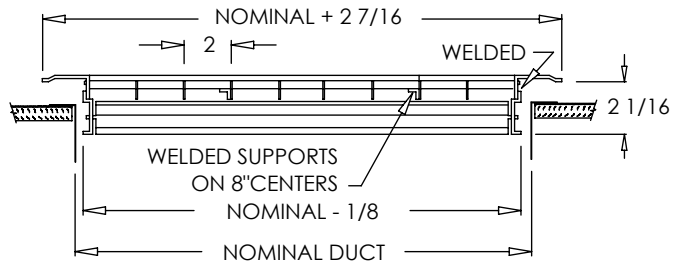
1630



1630



1630-0



1630-0

Additional Information:

Submittal Notes

Project / Location:

Engineer:

Architect:

Contractor: