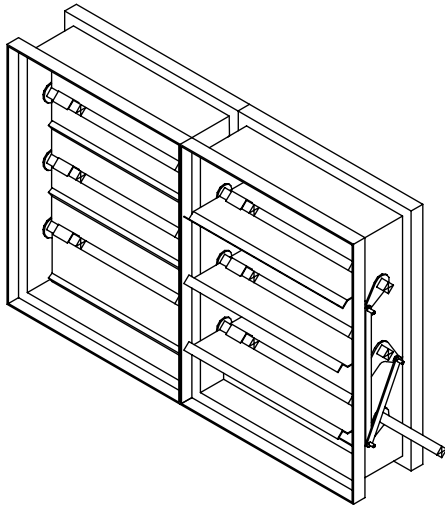


Damper Louver Submittal

Face and By-Pass Dampers

MODEL: 3100 Series



Standard Features:

- 16 gauge channel frame and blades
- Galvanized blades are vee stiffened for extra strength and stability
- Blades pivot on high temperature nylon bushings
- 1/2" square zinc plated steel pivot pins
- 1/2" square zinc plated steel adjustable operating shaft, extends up to 4" beyond the air control frame. Common control rod opens and closes dampers simultaneously.
- 1/2" square steel pivot pins and rod
- Two dampers assembled together enabling one to open while the other closes
- Galvanized Finish

Mount Options:

- Right Angle Assembly (3101)
- Top to Bottom Assembly (3102)
- Side to Side Assembly (3103)

Options:

- Parallel Blades (3101-P, 3102-P, 3103-P)
- Opposed Blades (3101-0, 3102-0, 3103-0)

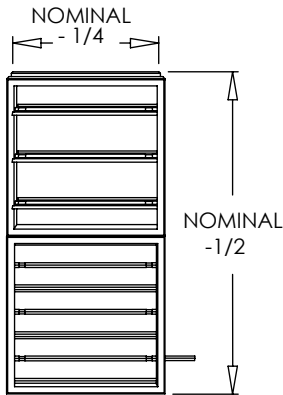
Options:

- Low Leak Package: features stainless steel jamb seals, blade to blade neoprene seals, and 3% maximum leakage with a pressure differential 3" W.C. (3101-LL, 3102-LL, 3103-LL)
- Bronze bearings
- Round operating shaft (1/2" diameter)
- Fractional and exact O.D. dimensions
- Direct mount damper motor (field installed). Mounts on operating shaft.

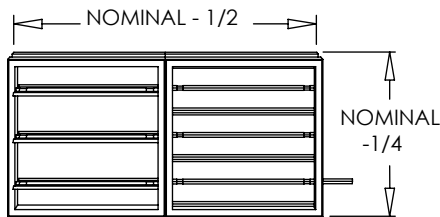
Finishes:

STANDARD COLORS

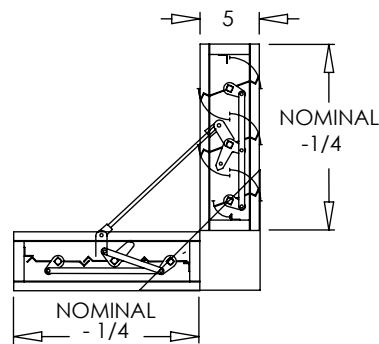
- Galvanized



3102
TOP TO BOTTOM



3103
SIDE TO SIDE



3101
RIGHT ANGLE

Additional Information:

Submittal Notes

Project / Location:

Engineer:

Architect:

Contractor: