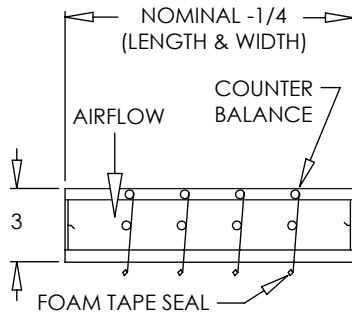
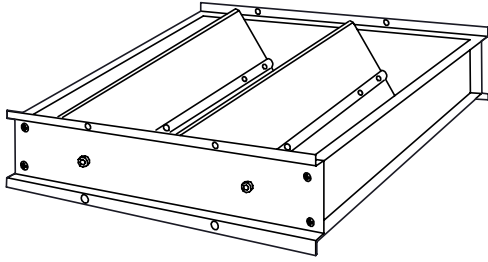


Damper Louver Submittal

Horizontal Mount Pressure Relief Damper (air down)

MODEL: 3530 Series



3530

Standard Features:

- Horizontal mount (air down) pressure relief
- Designed to open in negative or positive pressures for intake or exhaust air
- All aluminum construction
- Blade to blade linkage
- Foam tape sealed blade edges to dampen noise
- Single blades on dampers with a height of 10" or less
- Blades run parallel to first dimension given
- 1/4" pivot pins in nylon bearings
- Minimum size 6"x6"
- Maximum size 24"x24"
- Mill Finish

Options:

- Mounting flange
- Sleeves (contact factory for details)
- Fractional and exact O.D. dimensions

Finishes:

STANDARD COLORS

- Mill Finish

Additional Information:

Submittal Notes

Project / Location:	
Engineer:	
Architect:	
Contractor:	