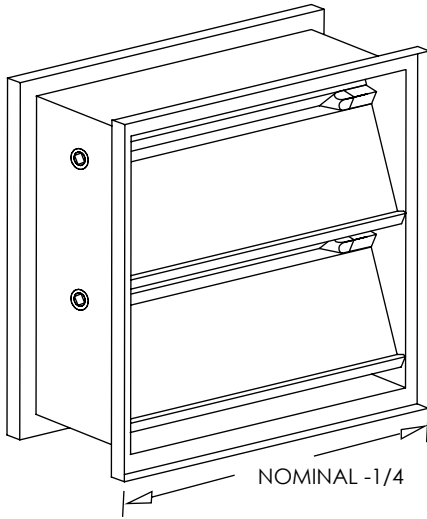


Damper Louver Submittal

Vertical Mount Backdraft Damper

MODEL: 3550 Series

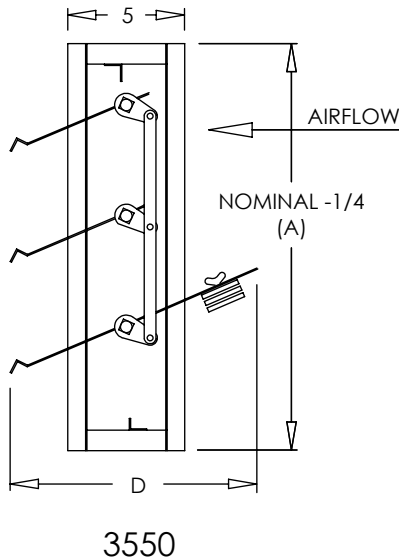


Standard Features:

- Dampers are opened by air pressure differential and closed by gravity
- 16 gauge channel frame
- Galvanized blades are 26 gauge and vee stiffened for extra strength and stability
- Out of airstream linkage
- Single blades on dampers with a height of 10" or less
- Blades run parallel to first dimension given
- Square steel pivot pins in nylon bushings
- Foam blade edges to dampen noise
- Adjustable counter balance arms mounted to centers of blades. Adjustable weights can be positioned along arm for various opening pressures. (Available only on dampers with multiple blades.)
- Minimum size 6"x6"
- Maximum size 48"x48"
- Galvanized Finish

Options:

- Double blades on dampers with a height of 8" or 10" (i.e. 3550-8x8 DB.).
- Outside mounting flange
- Bronze bearings
- Sleeves (contact factory for details)
- Fractional and exact O.D. dimensions



Finishes:

STANDARD COLORS

- Galvanized

3550		3550	
DIMENSION (A)	OPEN DEPTH (D)	DIMENSION (A)	OPEN DEPTH (D)
6"	11 5/8"	26"	12 7/8"
8"	13 5/8"	28"	13 3/8"
8" DB.	11 5/8"	30"	14 3/8"
10"	15 5/8"	32"	12 7/8"
10" DB.	11 5/8"	34"	13 3/8"
12"	11 5/8"	36"	14 3/8"
14"	12 1/8"	38"	12 7/8"
16"	13 3/8"	40"	13 3/8"
18"	14 3/8"	42"	14 3/8"
20"	12 7/8"	44"	12 7/8"
22"	13 3/8"	46"	13 3/8"
24"	14 3/8"	48"	14 3/8"

Additional Information:

Submittal Notes

Project / Location:	
Engineer:	
Architect:	
Contractor:	