

Standard Features:

- Extruded aluminum construction
- Standard flange frame
- 4" depth
- Louvers set at 45° on 4" centers
- Storm bend on louvers to minimize water from entering behind louver
- Bird screen (1/2" x 1/2")
- Blades run parallel to first dimension given
- Minimum size is 10"
- Driftwood Tan

Radius and Special Shape Louver Options (must specify):

- | | | |
|---------|---------|---------|
| Style 1 | Style 4 | Style 7 |
| Style 2 | Style 5 | Style 8 |
| Style 3 | Style 6 | Style 9 |

Options:

- Stationary 2" outside air louver radius and special shapes (4750)
- Flush mount channel frame (4700-CF)
- Offset flange frame, must specify flange placement (4700-OF)
- Insect Screen (1/16" x 1/16") (4700-IS)
- Fractional dimensions

Finishes:

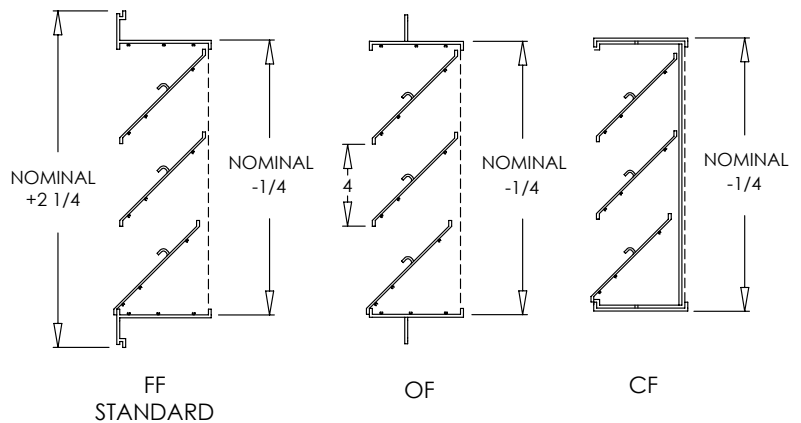
STANDARD COLORS

- Soft White
- Driftwood Tan
- Mill Finish

DESIGNER COLORS

- Black
- Bronze
- Storm Gray
- Cement Gray

- Aluminum Paint
- Coffee Tan
- Warm White
- Glossy White



Additional Information:

Submittal Notes

Project / Location:	
Engineer:	
Architect:	
Contractor:	