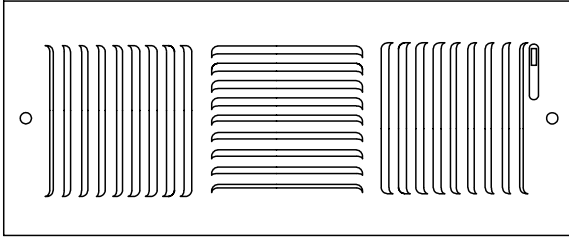


Residential Submittal

3-Way Stamped Register

MODEL: 845 Series



Standard Features:

- 3-Way register with stiffened 1/2" fan shaped louvers for silent operation
- For ceiling or sidewall applications
- Lever operated multi-shutter damper
- All component parts, rivets, linkage, and handle enclosed in valve to assure trouble-free operation
- Countersunk mounting holes with color matching Phillips Pozi-drive screws
- Rust resistant pre-coat with durable powder finish
- Soft White

Options:

- Lever operated Opposed Blade Damper (845-0)
- Tool operated Opposed Blade Damper (TO-845-0)
- T-20 Tamper Proof Screws

Finishes:

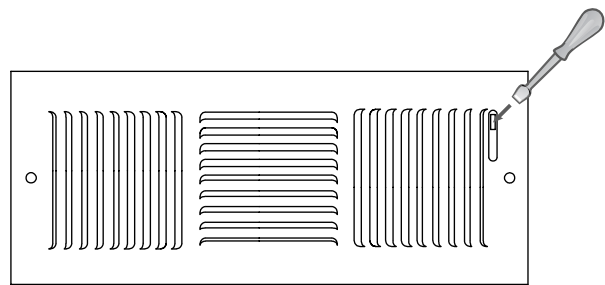
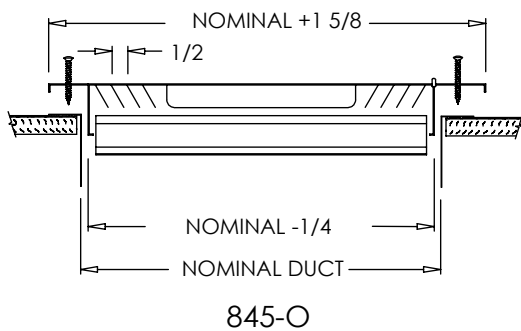
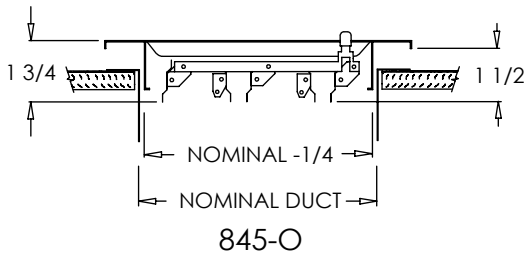
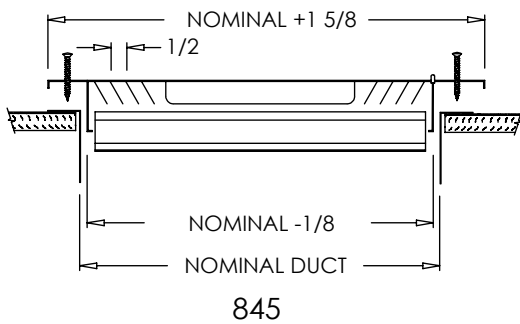
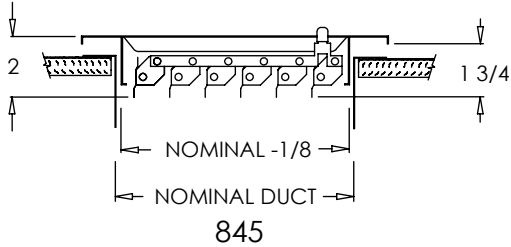
STANDARD COLORS

- Soft White
- Driftwood Tan

DESIGNER COLORS

- Black
- Bronze
- Storm Gray
- Cement Gray

- Aluminum Paint
- Coffee Tan
- Warm White
- Glossy White



Tool Operated OBD (TO-845-0)

Additional Information:

Submittal Notes

Project / Location:	
Engineer:	
Architect:	
Contractor:	