



Standard Features:

- Fixed 45° extruded aluminum bar blade T-Bar lay-in return
- Extruded aluminum frame with signature line marks
- Design conceals duct from view
- Center margins are mounted on backside of the grille for a streamlined continuous look
- Square collar designed for 22" x 22" duct
- Rust resistant pre-coat with durable powder finish
- Soft White

Options:

- Recessed screwdriver operated Opposed Blade Damper (915T-0)
- 2" ADC compliant round collar with bead for ease of installation
- Premium 3" round collar with bead (915T-3in)
- MRI Compatible
- 1 x 2 T-Bar (10" x 22" duct)
- 2 x 4 T-Bar (22" x 46" duct)

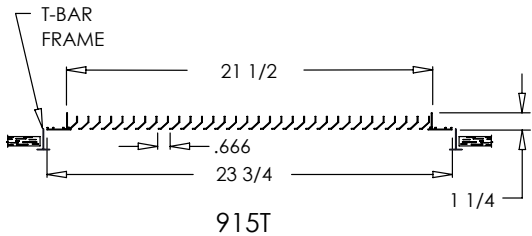
Finishes:

STANDARD COLORS

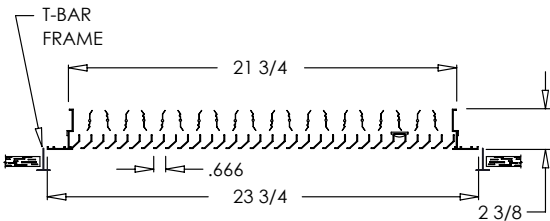
- Soft White
- Driftwood Tan

DESIGNER COLORS

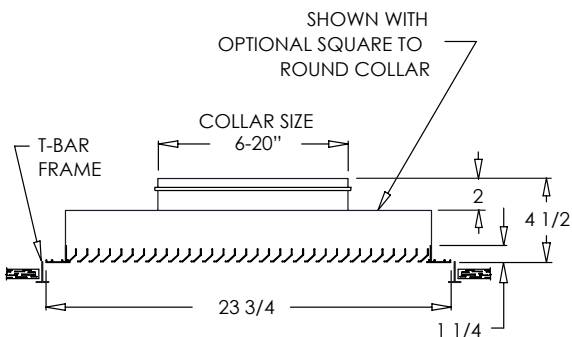
- Black
- Bronze
- Storm Gray
- Cement Gray
- Aluminum Paint
- Coffee Tan
- Warm White
- Glossy White



915T



915T-O



915T with Square to Round Collar (optional)

Additional Information:

Submittal Notes

Project / Location:	
Engineer:	
Architect:	
Contractor:	