

Standard Features:

- Fixed 45° steel blade T-Bar lay-in return air grille
- Extruded aluminum frame with signature line marks
- Square collar designed for 22" x 22" duct
- Rust resistant pre-coat with durable powder finish
- Soft White

Options:

- Recessed screwdriver operated Opposed Blade Damper (935T-0)
- Fixed 45° airfoil blades (905T)
- Preformed, contour molded fiberglass back with a foil barrier backing, compatible with 6-16" spin-in collar supplied by others (935F-T)
- 2" ADC compliant round collar with bead for ease of installation
- Premium 3" round collar with bead (935T-3in)
- 1 x 2 T-Bar (10" x 22" duct)
- 2 x 4 T-Bar (22" x 46" duct)

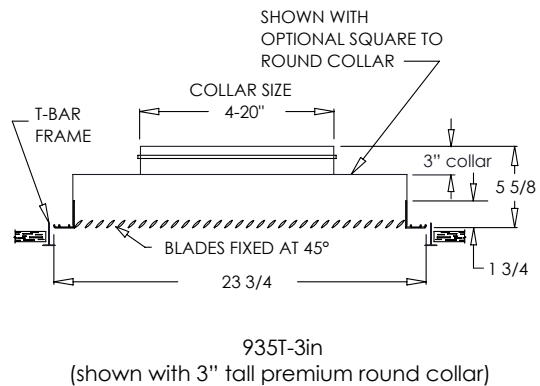
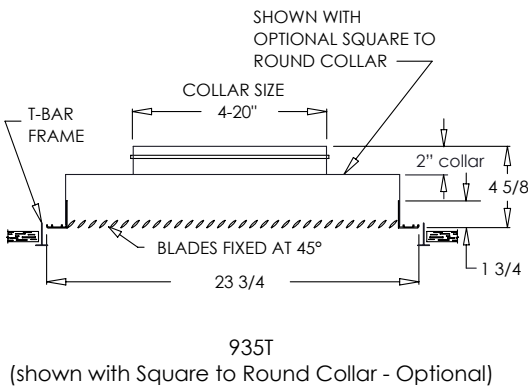
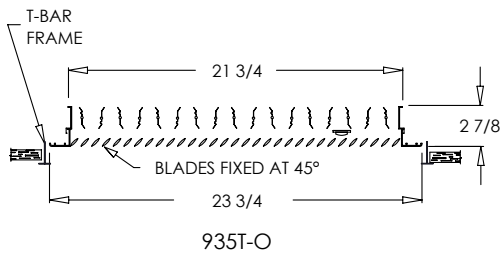
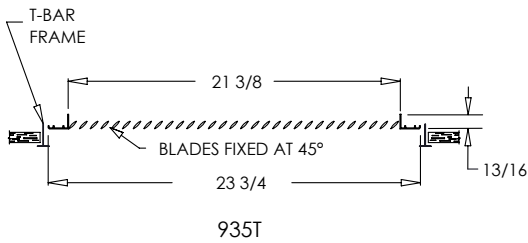
Finishes:

STANDARD COLORS

- Soft White
- Driftwood Tan

DESIGNER COLORS

- Black
- Bronze
- Storm Gray
- Cement Gray
- Aluminum Paint
- Coffee Tan
- Warm White
- Glossy White



Additional Information:

Submittal Notes

Project / Location:	
Engineer:	
Architect:	
Contractor:	