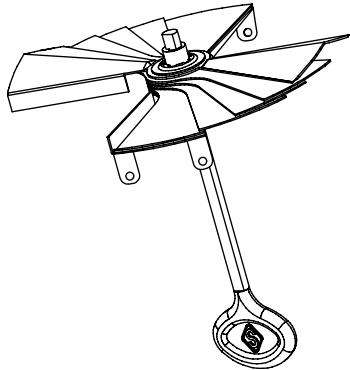


Commercial Submittal

Bowtie Damper

MODEL: BD



Standard Features:

- Field installable bowtie damper
- Available in sizes 6", 8", 10", 12", & 14"
- Includes removable BD actuator handle to adjust damper
- BD is listed under "Options" section on compatible product submittals
- Mill finish

Finishes:

STANDARD COLORS

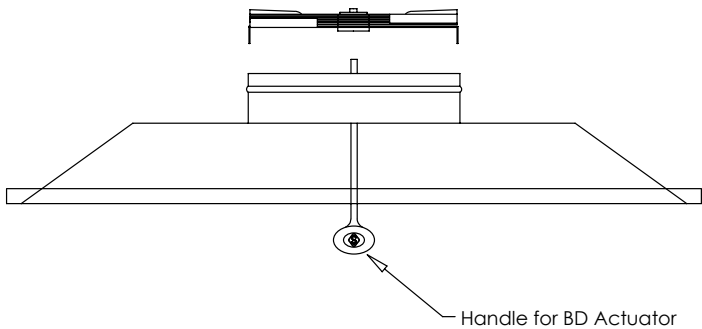
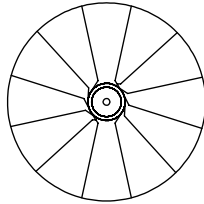
- Mill Finish

BD

Open



Closed



Handle for BD Actuator

Additional Information:

Submittal Notes

Project / Location:

Engineer:

Architect:

Contractor: