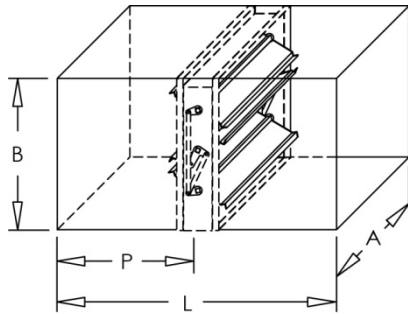




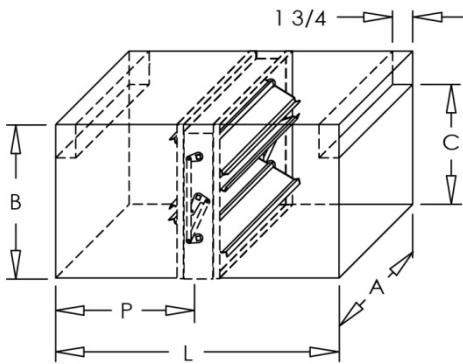
Damper Louver Submittal Sheet

Damper Sleeves

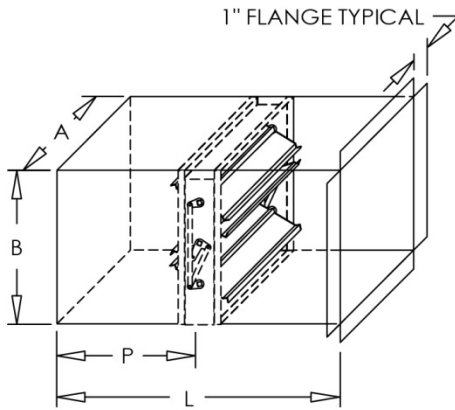
Sleeves for Dampers: 3000 & 3500



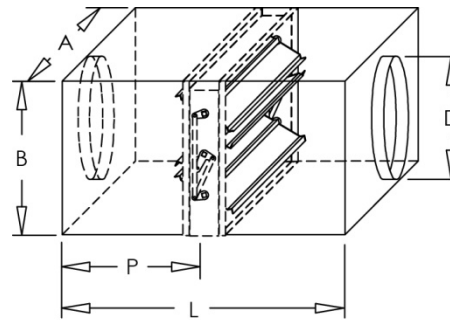
SLEEVE TYPE A



SLEEVE TYPE B



SLEEVE TYPE C



SLEEVE TYPE D

Model: Damper Sleeves
Description: Sleeves for Air Control, Backdraft, and Pressure Relief Dampers: 3000 & 3500

- Standard Features:**
- Sleeve Type A: Square or rectangular
 - Standard sleeve length 18"
 - 20 gauge galvanized steel
 - Mill Finish

- Options:**
- Gauges: 14 through 22 ga.
 - Aluminum sleeve (available only on 3000 series)
 - Access door installed
 - Retaining angles
 - Available in sleeve lengths 6" through 20"
 - Fractional O.D. sizes available

- Sleeve Styles:**
- Type B: Out-of-Airstream
 - Type C: Square or rectangular with flange (Note: When ordered with 3500 series dampers must specify whether flange is on intake or exhaust side of damper)
 - Type D: Square or rectangular with round collar (Note: Round collar must be 2" smaller than square sleeve dimension i.e. 10"x10"-8")

Additional Information:

Project / Location:
Engineer:
Architect:
Contractor:

Submittal Notes
