

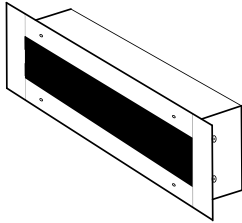


CSW Industrials Companies

Linear Jet Pair Diffuser Submittal

Surface Mount Frame – Diffuser Only (Type 4)

MODEL: LJP-T4-DO



Standard Features:

- Jet pair diffuser designed for higher airflow capacity than conventional linear diffusers
- Jets airstream in a vertical direction in ceiling applications or horizontal direction in sidewall applications
- Surface mount frame style with 1 3/4" flange. Countersunk mounting holes for flush appearance with flanged end caps and color matching Phillips Pozidriv screws
- Minimum length 12"
- Unlimited continuous sections available with butt joints
- Soft White

Manufacturing Requirements:

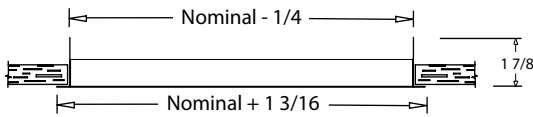
Length _____ feet _____ inches

Supply – Adjustable split 2-piece Jet Pair controllers for directional air volume control (LJP-T4-S)

Return – less controller (LJP-T4-R)

Number of slots: 1 2

Slot Width: 1" 1 1/2" 2" 2 1/2" 3"



Options:

- Flat end caps
- 90° Mitered corners

Finishes:

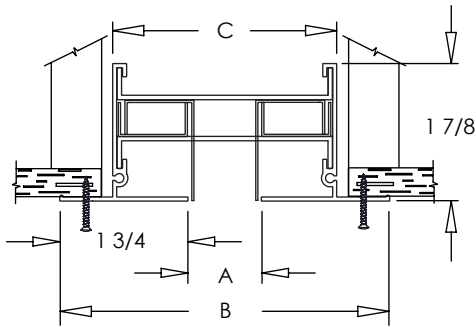
STANDARD COLORS

- Soft White
- Driftwood Tan
- Mill Finish

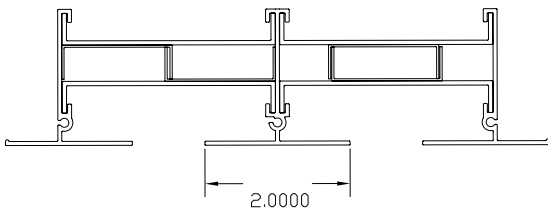
DESIGNER COLORS

- Black
- Bronze
- Storm Gray
- Cement Gray

- Aluminum Paint
- Coffee Tan
- Warm White
- Glossy White



LJP-T4-DO
SURFACE MOUNT



LJP with 2 slots

Dimensions (in inches)

# OF SLOTS	SLOT WIDTH (A)	OVERALL WIDTH (B)	WIDTH OF BACK (C)
1	1	4 1/2	3 1/8
	1 1/2	5	3 5/8
	2	5 1/2	4 1/8
	2 1/2	6	4 5/8
	3	6 1/2	5 1/8
2	1	7 1/2	6 1/8
	1 1/2	8 1/2	7 1/8
	2	9 1/2	8 1/8
	2 1/2	10 1/2	9 1/8
	3	11 1/2	10 1/8

Note ID lengths 1/4" undersized nominal

Additional Information:

Submittal Notes

Project / Location:	
Engineer:	
Architect:	
Contractor:	

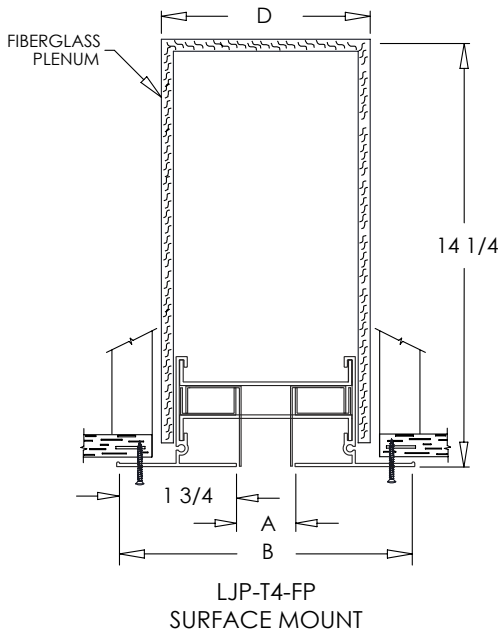
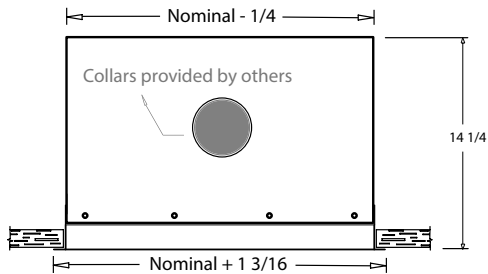
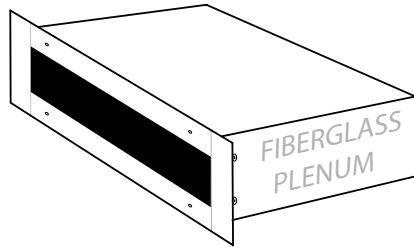


CSW Industrials Companies

Linear Jet Pair Diffuser Submittal

Surface Mount Frame with Fiberglass Plenum (Type 4)

MODEL: LJP-T4-FP



Standard Features:

- Jet pair diffuser designed for higher airflow capacity than conventional linear diffusers
- Jets airstream in a vertical direction in ceiling applications or horizontal direction in sidewall applications
- Surface mount frame style with 1 3/4" flange. Countersunk mounting holes for flush appearance with flanged end caps and color matching Phillips Pozidriv screws
- Rigid fiberglass plenum, allows for multiple locations of field installed spin in collar (collar provided by others)
- Fiberglass plenum ships installed on diffuser
- Minimum length 12"
- Unlimited continuous sections available with butt joints
- Soft White

Manufacturing Requirements:

Length _____ feet inches

Supply – Adjustable split 2-piece Jet Pair controllers for directional air volume control (LJP-T4-S)

Return – less controller (LJP-T4-R)

Number of slots: 1 2

Slot Width: 1" 1 1/2" 2" 2 1/2" 3"

Options:

Flat end caps

90° Mitered corners

Finishes:

STANDARD COLORS

- Soft White
- Driftwood Tan
- Mill Finish

DESIGNER COLORS

- Black
- Bronze
- Storm Gray
- Cement Gray

- Aluminum Paint
- Coffee Tan
- Warm White
- Glossy White

Dimensions (in inches)

# OF SLOTS	SLOT WIDTH (A)	OVERALL WIDTH (B)	WIDTH OF BACK (D)
1	1	4 1/2	4 1/8
	1 1/2	5	4 5/8
	2	5 1/2	5 1/8
	2 1/2	6	5 5/8
	3	6 1/2	6 1/8
2	1	7 1/2	7 1/8
	1 1/2	8 1/2	8 1/8
	2	9 1/2	9 1/8
	2 1/2	10 1/2	10 1/8
	3	11 1/2	11 1/8

Note ID lengths 1/4" undersized nominal

Additional Information:

Submittal Notes

Project / Location:

Engineer:

Architect:

Contractor:

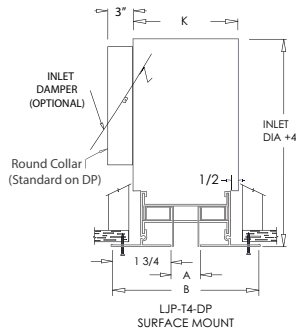
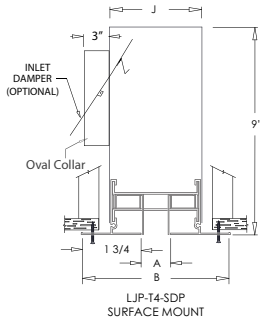
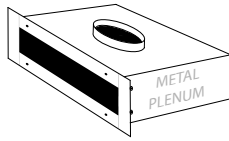


CSW Industrials Companies

Linear Jet Pair Diffuser Submittal

Surface Mount Frame with Metal Plenum (Type 4)

MODEL: LJP-T4-SDP, LJP-T4-DP



LINEAR JET BAR DIFFUSER Standard Features:

- Jet pair diffuser designed for higher airflow capacity than conventional linear diffusers
- Jets airstream in a vertical direction in ceiling applications or horizontal direction in sidewall applications
- Surface mount frame style with 1 3/4" flange. Countersunk mounting holes for flush appearance with end flanges and color matching Philips Pozidriv screws
- Minimum length 12"
- Unlimited continuous sections available with butt joints
- Soft White

Manufacturing Requirements:

Length _____ feet _____ inches

Supply – Adjustable split 2-piece Jet Pair controllers for directional air volume control (LJP-T4-S)

Return – less controller (LJP-T4-R)

Number of slots: 1 2

Slot Width: 1" 1 1/2" 2" 2 1/2" 3"

Options:

- Flat end caps
- 90° Mitered corners

Finishes:

- Soft White
- Mill Finish
- Driftwood Tan
- Designer Color _____

METAL PLENUM Standard Features:

- 24 gauge galvanized steel plenum
- Minimum length 1' and maximum single piece length is 6'
- Metal plenum requires field assembly to connect to the diffuser

Manufacturing Requirements:

Short Distribution Plenum – SDP (standard, height set at 9")

Distribution Plenum – DP (height = inlet diameter + 4")

1/2" fiberglass internal insulation

No insulation

Oval inlet sizes: 5" 6" 7" 8" 10" 12" 14" 16"

Round inlet sizes (SDP): 5" 6"

Round inlet sizes (DP): 5" 6" 7" 8" 10" 12" 14" 16"

No inlet (DP with no inlet will have a standard height of 14")

Options:

- Twist controlled damper

Dimensions (in inches)

# OF SLOTS	SLOT WIDTH (A)	OVERALL WIDTH (B)	SDP WIDTH (J)	DP WIDTH (K)
1	1	4 1/2	3 1/4	4 1/4
	1 1/2	5	3 3/4	4 3/4
	2	5 1/2	4 1/4	5 1/4
	2 1/2	6	4 3/4	5 3/4
	3	6 1/2	5 1/4	6 1/4
2	1	7 1/2	6 1/4	7 1/4
	1 1/2	8 1/2	7 1/4	8 1/4
	2	9 1/2	8 1/4	9 1/4
	2 1/2	10 1/2	9 1/4	10 1/4
	3	11 1/2	10 1/4	11 1/4

Note: Diffuser ID lengths 1/4" oversized nominal. Metal plenum manufactured to nominal dimensions. If duct opening is 48", plenum will be 48" and diffuser will be 47-3/4".

Additional Information:

Submittal Notes

Project / Location:	
Engineer:	
Architect:	
Contractor:	

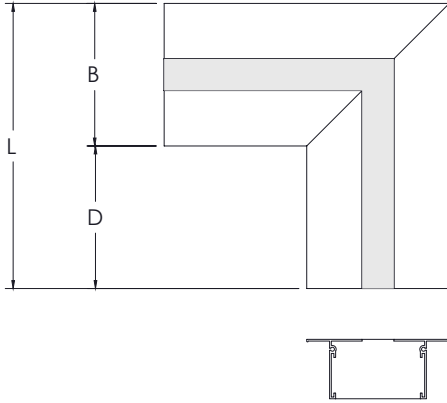


CSW Industrials Companies

Commercial Submittal

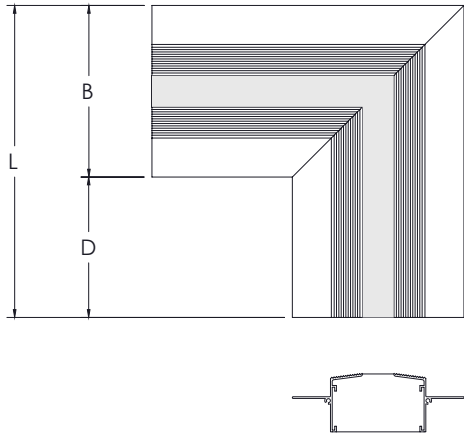
Mitered Corner Linear Jet Bar (1 Slot Configuration)

LJP Mitered Corner
1 Slot Types 2, 4



Dimensions (in inches)			
Type 2, 4			
SLOT WIDTH	(L)	(B)	(D)
1	9	4 1/2	4 1/2
1 1/2	9	5	4
2	9	5 1/2	3 1/2
2 1/2	9	6	3
3	9	6 1/2	2 1/2

LJP Mitered Corner
1 Slot Type 3



Dimensions (in inches)			
Type 3			
SLOT WIDTH	(L)	(B)	(D)
1	10	5 1/2	4 1/2
1 1/2	10	6	4
2	10	6 1/2	3 1/2
2 1/2	10	7	3
3	10	7 1/2	2 1/2

Additional Information:

Submittal Notes

Project / Location:	
Engineer:	
Architect:	
Contractor:	

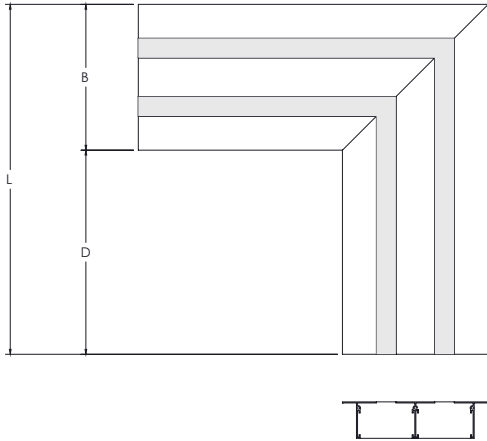


CSW Industrials Companies

Commercial Submittal

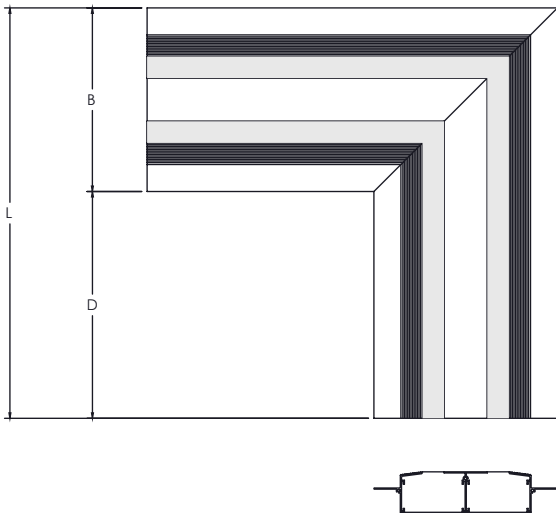
Mitered Corner Linear Jet Bar (2 Slot Configuration)

LJP Mitered Corner
2 Slot Types 2, 4.



Dimensions (in inches)			
Type 2, 4			
SLOT WIDTH	(L)	(B)	(D)
1	18	7 1/2	10 1/2
1 1/2	18	8 1/2	9 1/2
2	18	9 1/2	8 1/2
2 1/2	18	10 1/2	7 1/2
3	18	11 1/2	6 1/2

LJP Mitered Corner
2 Slot Type 3



Dimensions (in inches)			
Type 3			
SLOT WIDTH	(L)	(B)	(D)
1	19	8 1/2	10 1/2
1 1/2	19	9 1/2	9 1/2
2	19	10 1/2	8 1/2
2 1/2	19	11 1/2	7 1/2
3	19	12 1/2	6 1/2

Additional Information:

Submittal Notes

Project / Location:	
Engineer:	
Architect:	
Contractor:	