

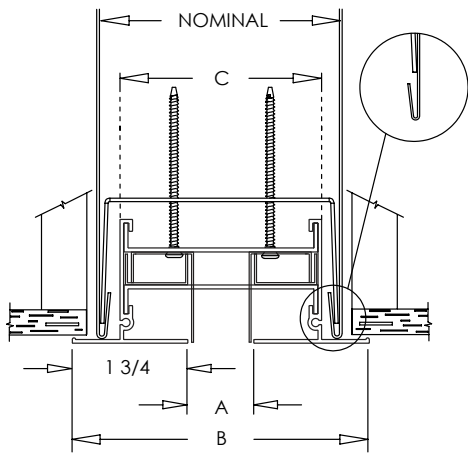
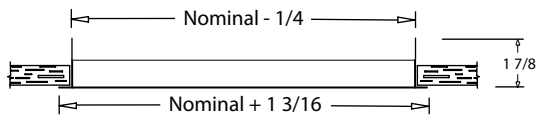
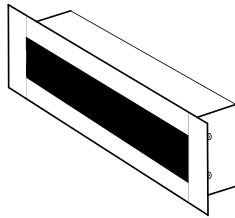


CSW Industrials Companies

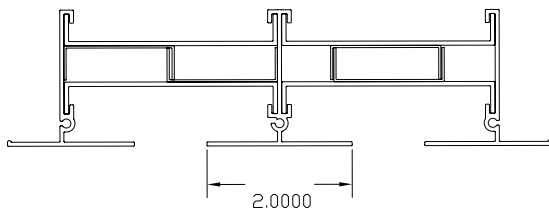
Linear Jet Pair Diffuser Submittal

Duct Bracket Mount Frame – Diffuser Only (Type 6)

MODEL: LJP-T6-DO



LJP-T6-DO
DUCT BRACKET MOUNT



LJP with 2 slots

Standard Features:

- Jet pair diffuser designed for higher airflow capacity than conventional linear diffusers
- Jets airstream in a vertical direction in ceiling applications or horizontal direction for sidewall applications
- Duct Bracket mount frame style with 1 3/4" flange and flanged end caps
- Multiple fastening locations for each diffuser
- Minimum length 12"
- Unlimited continuous sections available with butt joints
- Soft White

Manufacturing Requirements:

Length _____ feet _____ inches

Supply – Adjustable split 2-piece Jet Pair controllers for directional air volume control (LJP-T6-S)

Return – less controller (LJP-T6-R)

Number of slots: 1 2

Slot Width: 1" 1 1/2" 2" 2 1/2" 3"

Options:

Flat end caps

90° Mitered corners

Finishes:

STANDARD COLORS

- Soft White
- Driftwood Tan
- Mill Finish

DESIGNER COLORS

- Black
- Bronze
- Storm Gray
- Cement Gray

- Aluminum Paint
- Coffee Tan
- Warm White
- Glossy White

Dimensions (in inches)

# OF SLOTS	SLOT WIDTH (A)	OVERALL WIDTH (B)	WIDTH OF BACK (C)
1	1	4 1/2	3 1/8
	1 1/2	5	3 5/8
	2	5 1/2	4 1/8
	2 1/2	6	4 5/8
	3	6 1/2	5 1/8
2	1	7 1/2	6 1/8
	1 1/2	8 1/2	7 1/8
	2	9 1/2	8 1/8
	2 1/2	10 1/2	9 1/8
	3	11 1/2	10 1/8

Note ID lengths 1/4" undersized nominal

Install Notes:

Plenum must be installed before diffuser install. The Type 6 Duct Mount is an effective and quick mounting mechanism. Attach the duct bracket to the LJP-T6 only tapping the fastening screws enough to hold the LJP-T6 and bracket together. Once the brackets have been attached to the LJP-T6 and the unit is set into place, the duct brackets will snap into position. The rolled edges of the duct support the duct bracket, holding it in place, while the fastening screws are threaded in the remainder of the way to pull the LJP-T6 tight to the finished surface. Duct brackets and mounting screws will ship with the LJP-T6.

Additional Information:

Submittal Notes

Project / Location:

Engineer:

Architect:

Contractor:

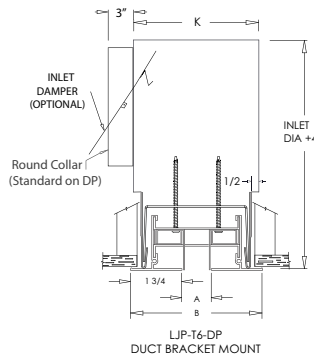
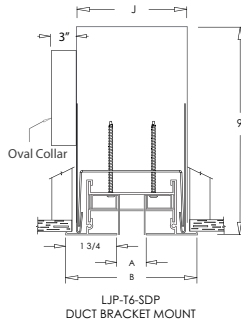
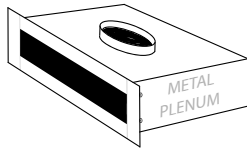


CSW Industrials Companies

Linear Jet Bar Diffuser Submittal

Duct Bracket Mount Frame with Metal Plenum (Type 6)

MODEL: LJP-T6-SDP, LJP-T6-DP



Dimensions (in inches)

# OF SLOTS	SLOT WIDTH (A)	OVERALL WIDTH (B)	SDP WIDTH (J)	DP WIDTH (K)
1	1	4 1/2	3 3/4	4 3/4
	1 1/2	5	4 1/4	5 1/4
	2	5 1/2	4 3/4	5 3/4
	2 1/2	6	5 1/4	6 1/4
	3	6 1/2	5 3/4	6 3/4
2	1	7 1/2	6 3/4	7 3/4
	1 1/2	8 1/2	7 3/4	8 3/4
	2	9 1/2	8 3/4	9 3/4
	2 1/2	10 1/2	9 3/4	10 3/4
	3	11 1/2	10 3/4	11 3/4

Note: Diffuser ID lengths 1/4" undersized nominal. Metal plenum manufactured to nominal dimensions. If duct opening is 48", plenum will be 48" and diffuser will be 47-3/4".

LINEAR JET PAIR DIFFUSER Standard Features:

- Jet pair diffuser designed for higher airflow capacity than conventional linear diffusers
- Jets airstream in a vertical direction for ceiling applications or horizontal direction in sidewall applications
- Duct Bracket mount frame style with 1 3/4" flange and flanged end caps
- Multiple fastening locations for each diffuser
- Minimum length 12"
- Unlimited continuous sections available with butt joints
- Soft White

Manufacturing Requirements:

Length _____ feet _____ inches

Supply – Adjustable split 2-piece Jet Pair controllers for directional air volume control (LJP-T6-S)

Return – less controller (LJP-T6-R)

Number of slots: 1 2

Slot Width: 1" 1 1/2" 2" 2 1/2" 3"

Options:

Flat end caps

90° Mitered corners

Finishes:

Soft White

Driftwood Tan

Mill Finish

Designer Color _____

METAL PLENUM Standard Features:

- 24 gauge galvanized steel plenum, with hemmed rail
- Minimum length 1' and maximum single piece length is 6'
- Metal plenum requires field assembly to connect to the diffuser

Manufacturing Requirements:

Short Distribution Plenum – SDP (standard, height set at 9")

Distribution Plenum – DP (height = inlet diameter + 4")

1/2" fiberglass internal insulation

No insulation

Oval inlet sizes: 5" 6" 7" 8" 10" 12" 14" 16"

Round inlet sizes (SDP): 5" 6"

Round inlet sizes (DP): 5" 6" 7" 8" 10" 12" 14" 16"

No inlet (DP with no inlet will have a standard height of 14")

Options:

Twist controlled damper

Install Notes

Metal Plenum must be installed before the diffuser is installed. The Type 6 Duct Mount is an effective and quick mounting mechanism. Attach the duct bracket to the LJP-T6 only tapping the fastening screws enough to hold the LJP-T6 and bracket together. Once the brackets have been attached to the LJP-T6 and the unit is set into place, the duct brackets will snap into position. The rolled edges of the duct support the duct bracket, holding it in place, while the fastening screws are threaded in the remainder of the way to pull the LJP-T6 tight to the finished surface. Duct brackets and mounting screws will ship with the LJP-T6.

Additional Information:

Submittal Notes

Project / Location:

Engineer:

Architect:

Contractor:

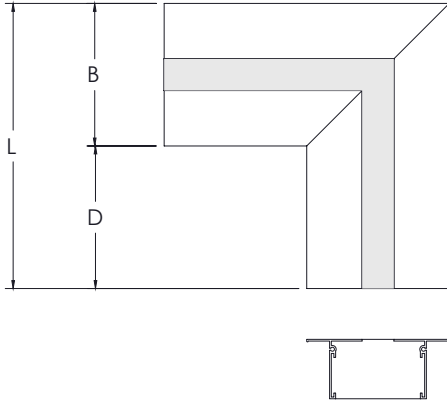


CSW Industrials Companies

Commercial Submittal

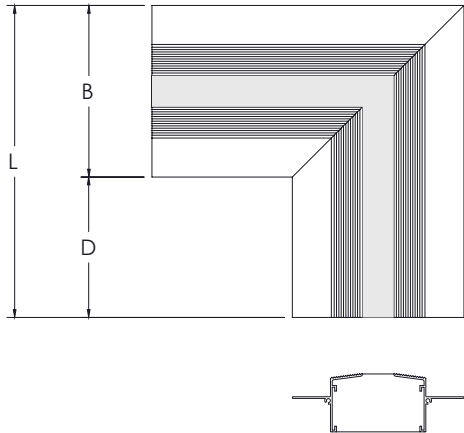
Mitered Corner Linear Jet Bar (1 Slot Configuration)

LJP Mitered Corner
1 Slot Types 2, 4



Dimensions (in inches)			
Type 2, 4			
SLOT WIDTH	(L)	(B)	(D)
1	9	4 1/2	4 1/2
1 1/2	9	5	4
2	9	5 1/2	3 1/2
2 1/2	9	6	3
3	9	6 1/2	2 1/2

LJP Mitered Corner
1 Slot Type 3



Dimensions (in inches)			
Type 3			
SLOT WIDTH	(L)	(B)	(D)
1	10	5 1/2	4 1/2
1 1/2	10	6	4
2	10	6 1/2	3 1/2
2 1/2	10	7	3
3	10	7 1/2	2 1/2

Additional Information:

Submittal Notes

Project / Location:	
Engineer:	
Architect:	
Contractor:	

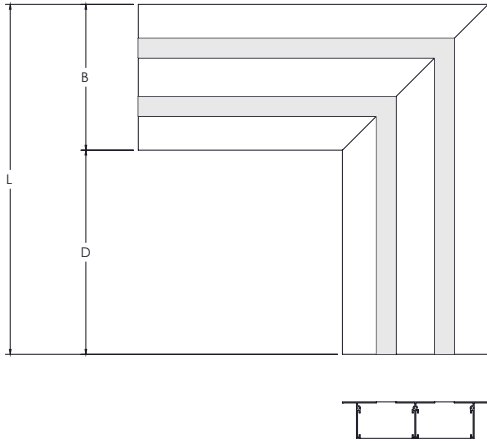


CSW Industrials Companies

Commercial Submittal

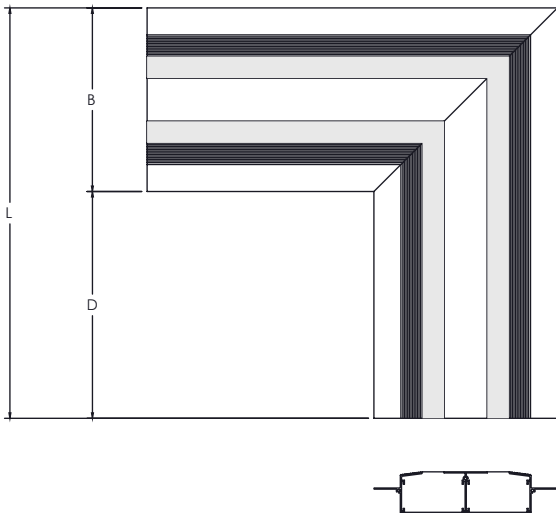
Mitered Corner Linear Jet Bar (2 Slot Configuration)

LJP Mitered Corner
2 Slot Types 2, 4.



Dimensions (in inches)			
Type 2, 4			
SLOT WIDTH	(L)	(B)	(D)
1	18	7 1/2	10 1/2
1 1/2	18	8 1/2	9 1/2
2	18	9 1/2	8 1/2
2 1/2	18	10 1/2	7 1/2
3	18	11 1/2	6 1/2

LJP Mitered Corner
2 Slot Type 3



Dimensions (in inches)			
Type 3			
SLOT WIDTH	(L)	(B)	(D)
1	19	8 1/2	10 1/2
1 1/2	19	9 1/2	9 1/2
2	19	10 1/2	8 1/2
2 1/2	19	11 1/2	7 1/2
3	19	12 1/2	6 1/2

Additional Information:

Submittal Notes

Project / Location:	
Engineer:	
Architect:	
Contractor:	