

**Standard Features:**

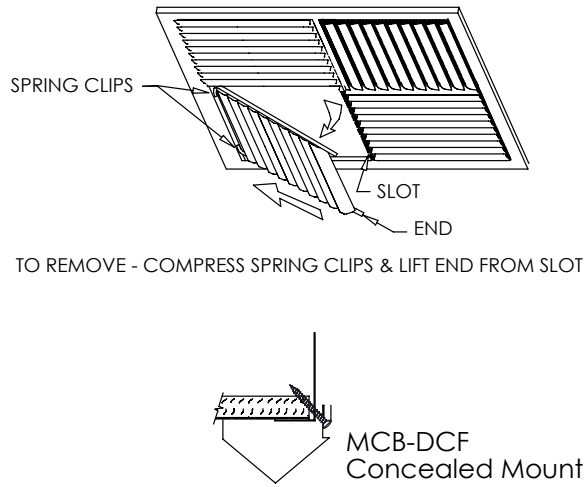
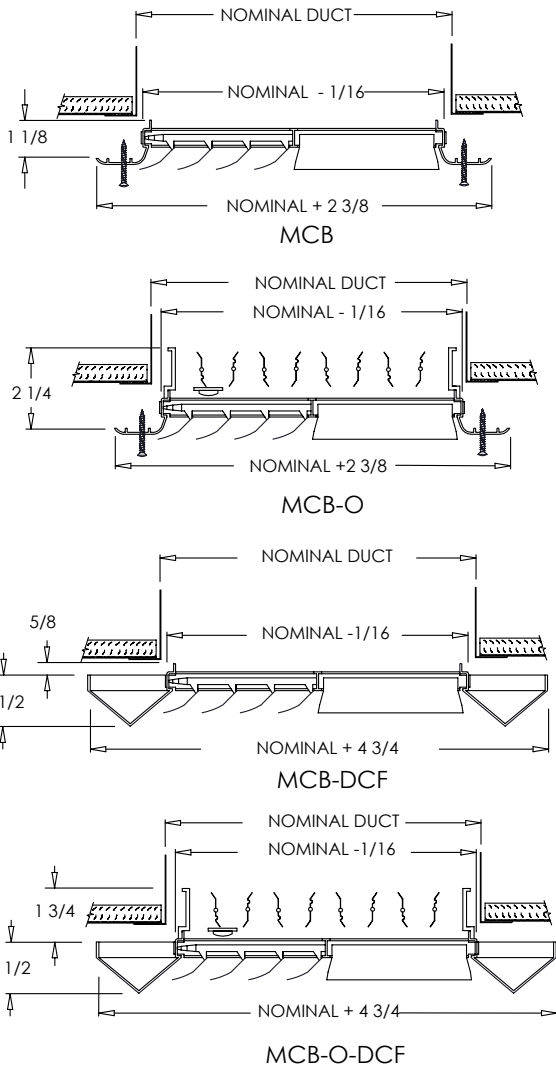
- Modular cores with individually adjustable curved blades
- Maintains horizontal airflow pattern
- Extruded aluminum surface mount frame with signature line marks
- Countersunk mounting holes with color matching Philips Posidriv screws
- Rust resistant pre-coat with durable powder finish
- Soft White

**Options:**

- Deep Ceiling Frame (steel) with concealed mounting holes (MCB-DCF)
- Concealed mounting holes (MCB-CM)
- Recessed screwdriver operated Opposed Blade Damper (MCB-O, MCB-O-DCF)
- 2" ADC compliant round collar with bead for ease of installation – available in square sizes only
- T-20 Tamper Proof Screws

**Finishes:**

<b>STANDARD COLORS</b>	<b>DESIGNER COLORS</b>	
<input type="checkbox"/> Soft White	<input type="checkbox"/> Black	<input type="checkbox"/> Aluminum Paint
<input type="checkbox"/> Driftwood Tan	<input type="checkbox"/> Bronze	<input type="checkbox"/> Coffee Tan
	<input type="checkbox"/> Storm Gray	<input type="checkbox"/> Warm White
	<input type="checkbox"/> Cement Gray	<input type="checkbox"/> Glossy White



**Additional Information:**

**Submittal Notes**

Project / Location:	
Engineer:	
Architect:	
Contractor:	